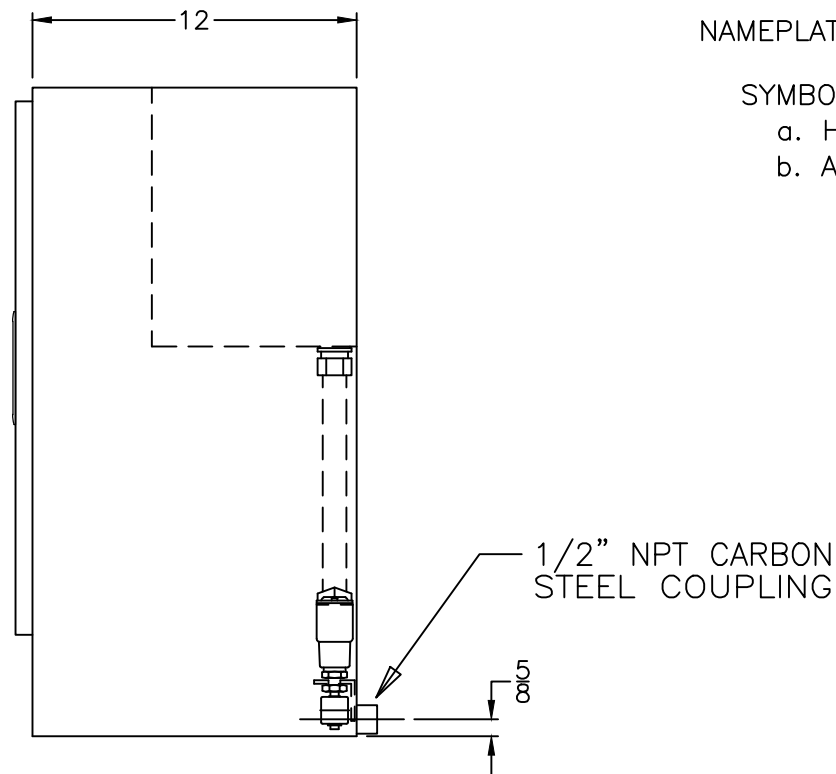


VIEW SHOWN WITH DOOR REMOVED



NOTES:

1. CABINET – 24”H X 24”W X 12”D – NEMA 4
14 GAUGE STEEL CONSTRUCTION, FULLY GASKETED
HINGED DOOR W/ 3-POINT RECESSED LATCH AND
LOCKING HANDLE.
2. FINISH: EXTERIOR: GREY ELAMEL OR STAINLESS STEEL
INTERIOR: WHITE ENAMEL
3. NAMEPLATES: BLACK PHENOLIC
WITH WHITE LETTERS
4. REFER TO W-909X-3, SHEET 2 OF 2 FOR FACTORY
AND FIELD WIRING.
5. USED IN ASSEMBLIES:
2-CS3-1.5, 2 & 3 AND 2-SS3-1.5, 2 & 3
FOR FLUSH MOUNT, SURFACE MOUNT AND FREE-
STANDING MODELS.

NAMEPLATE LEGEND

SYMBOL DESIGNATION

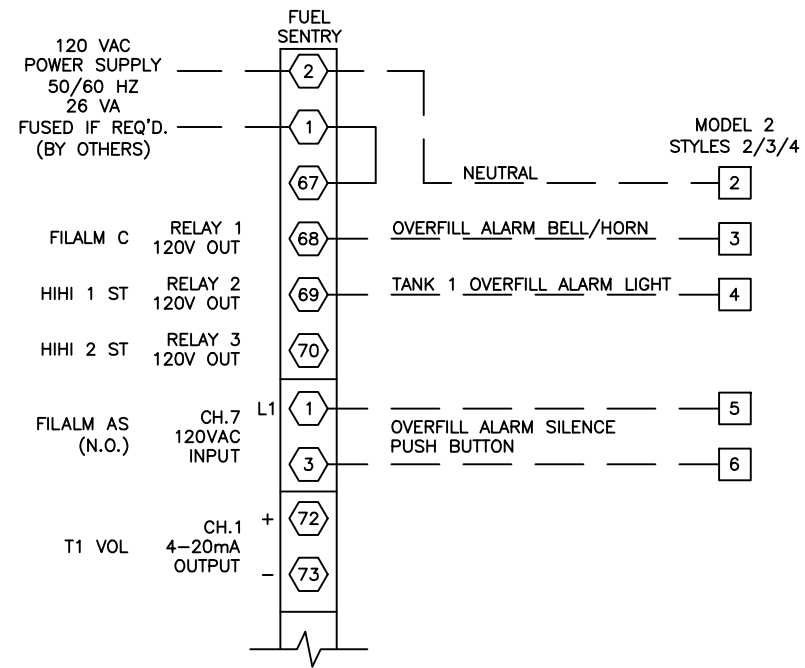
- a. HIGH LEVEL ALARM LIGHT (REF.#57832B)
- b. ALARM SILENCE BUTTON (REF.#57832B)

PREFERRED UTILITIES
MANUFACTURING CORP.
MODEL 2 SPILL CONTAINER
STYLE 3 ELECTRICAL

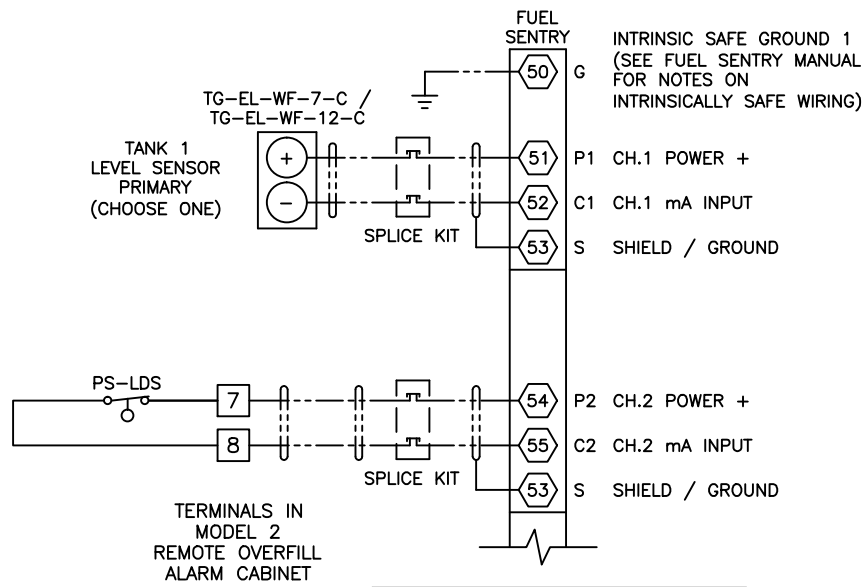
1	EXTEND ELEC. BOX DOWN 1 INCH	10/23/14	JKK	MODEL:	SIZE:	TYPE:
				SUPERSEDES:		ASS'Y NO.:
				MATERIAL:		SCALE: NONE
				DRAWN: JKK 8/8/13		W-909X-3 SHEET 1 OF 3
LET.	REVISIONS	DATE OF CHANGE	APPR'D:			

FILE # 909X-3

FUEL SENTRY TANK GAUGE TO
MODEL 2, STYLE 3 WIRING
NON-INTRINSICALLY SAFE SECTION

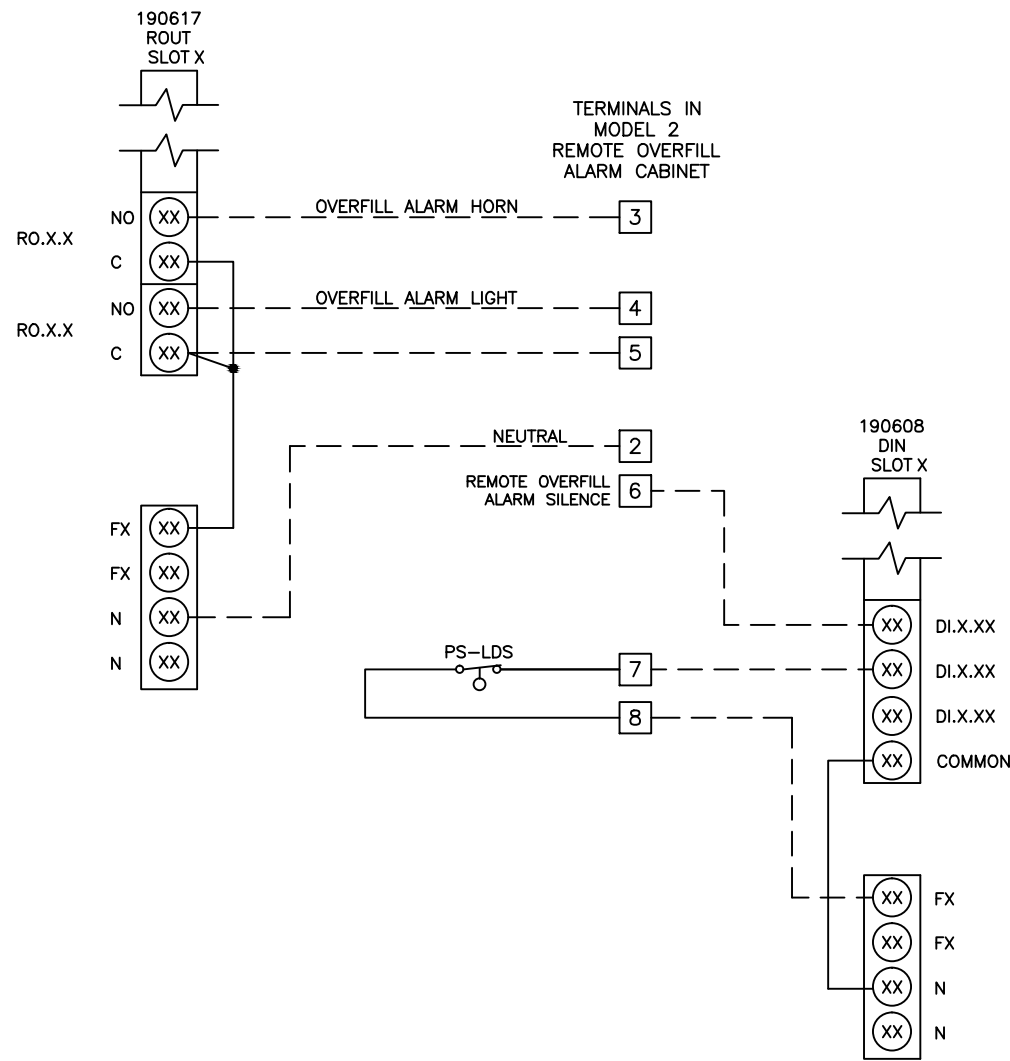


FUEL SENTRY TANK GAUGE TO
MODEL 2, STYLE 3 WIRING
INTRINSICALLY SAFE SECTION



NOTE:
SPECIFIC TERMINAL NUMBERS WILL VARY DEPENDING ON THE CHANNEL CHOSEN FOR THE INPUT.

PWC FUEL MONITORING PANEL TO
MODEL 2, STYLE 3 WIRING



NOTE:
FOR SPECIFIC TERMINAL NUMBERS CONSULT PWC WIRING DIAGRAM PROVIDED WITH PANEL.

— = FACTORY WIRING
- - - = FIELD WIRING 120VAC
- - - - = FIELD WIRING LOW VOLTAGE

NOTES:

1. WIRING IN CABINET SHALL BE COLOR CODED AND TERMINATED AT NUMBERED TERMINALS FOR ALL FIELD CONNECTIONS.
2. MIN. WIRE - MOTORS: #12 AWG - CONTROL CIRCUIT: #16 AWG
3. FACTORY WIRING FIELD WIRING
SHIELDED CABLE LOW VOLTAGE DC DO NOT RUN IN CONDUIT WITH AC WIRING
4. SUPPLY 10% BLANK TERMINALS IN ADDITION.
5. I.B.E.W. UNION LABEL.
6. CABINET MUST BE MET APPROVED FOR UL508A.
7. S.C.C.R. RATING 10kA.
8. IF USING WITH A SIMPLE FLOAT STYLE SWITCH SUCH AS A PLS-1 OR AN HLS TO ACTUATE THE OVERFILL ALARM, A NORMALLY OPEN SWITCH SHOULD BE INSTALLED BETWEEN TERMINALS 1 & SW.

TEST WIRE SIZE INSTALLED IN CONNECTOR	TIGHTENING TORQUE/POUND-INCHES			
	SLOTTED HEAD No.10 AND LARGER		HEXAGONAL HEAD EXTERNAL DRIVE SOCKET WRENCH	
AWG	SLOT WIDTH 0.047 INCH OR LESS AND SLOT LENGTH 1/4 INCH OR LESS	SLOT WIDTH OVER 0.047 INCH OR SLOT LENGTH-OVER 1/4 INCH	SPLIT BOLT CONNECTORS	OTHER CONNECTORS
18 - 10	20	35	80	75
8	25	40	80	75
6 - 4	35	45	165	110

FOR VALUES OF A SLOT WIDTH OR LENGTH NOT CORRESPONDING TO THOSE SPECIFIED THE LARGEST TORQUE VALUE ASSOCIATED WITH THE CONDUCTOR SIZE SHALL BE MARKED. SLOT WIDTH IS THE NOMINAL DESIGN VALUE. SLOT SHALL BE MEASURED AT THE BOTTOM OF THE SLOT.

SLOT LENGTH OF SCREW	SLOT WIDTH OF SCREW-INCHES ^b		SOCKET SIZE ACROSS FLATS	TIGHTENING TORQUE
	SMALLER THAN 0.047	0.047 AND LARGER		
INCHES			INCHES	POUND-INCHES
LESS THAN 5/32	7	9	1/8	45
5/32	7	12	5/32	100
3/16	7	12	3/16	120
7/32	7	12	7/32	150
1/4	9	12	1/4	200
9/32		15	5/16	275
ABOVE 9/32		20	3/8	375
			1/2	500
			9/16	600

^a FOR SLOT LENGTHS OF INTERMEDIATE VALUES, TORQUES PERTAINING TO NEXT SHORTER SLOT LENGTH SHALL BE UTILIZED. FOR SCREWS WITH MULTIPLE TIGHTENING MEANS, THE LARGEST TORQUE VALUE ASSOCIATED WITH THE CONDUCTOR SIZE SHALL BE MARKED. SLOT LENGTHS SHALL BE MEASURED AT THE BOTTOM OF THE SLOT

^b FOR SCREWS WITH MULTIPLE TIGHTENING MEANS, THE LARGEST TORQUE VALUE ASSOCIATED WITH THE CONDUCTOR SIZE SHALL BE MARKED. SLOT LENGTH SHALL BE MEASURED AT THE BOTTOM OF THE SLOT

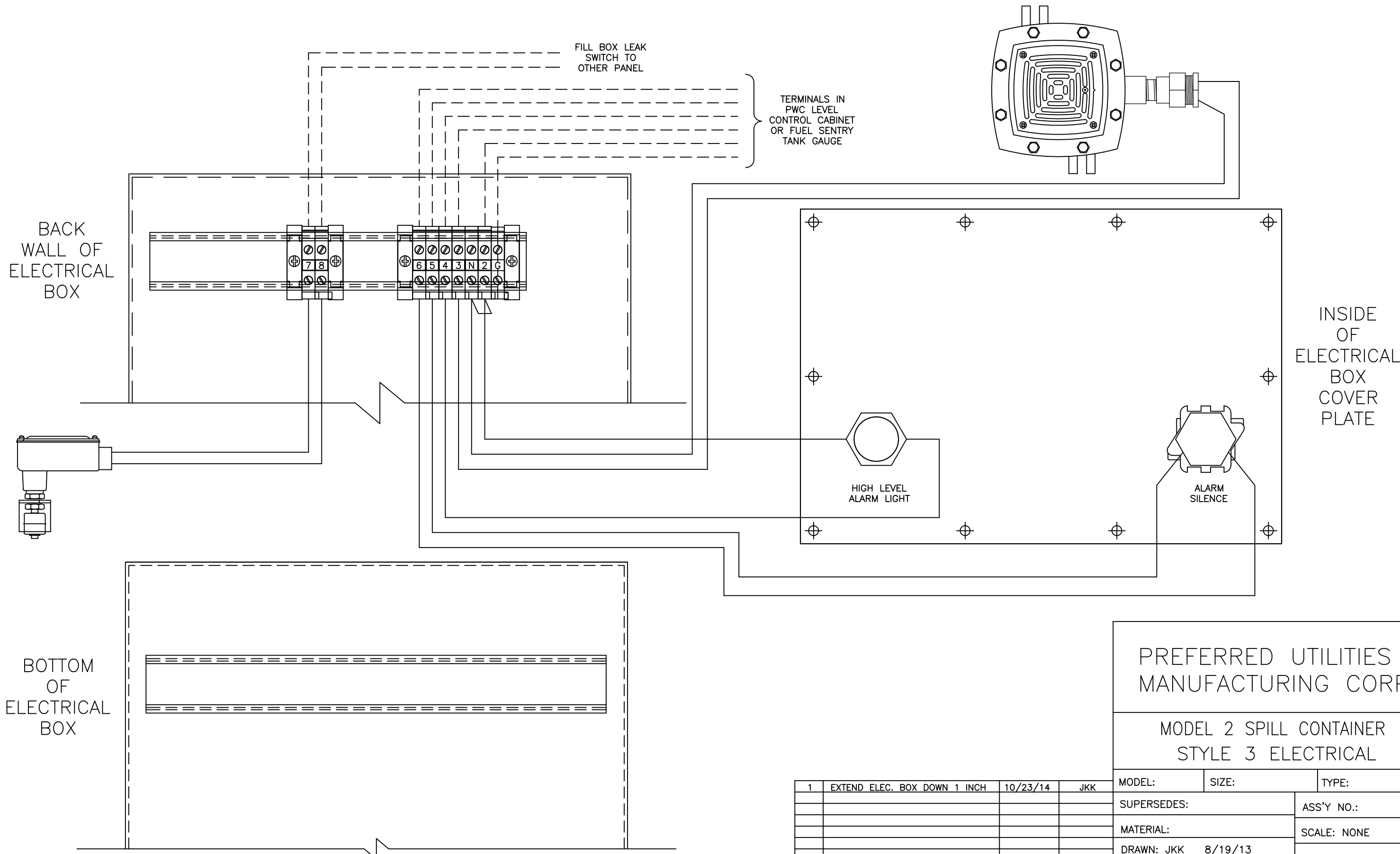
^c SLOT WIDTH IS THE NOMINAL DESIGN VALUE

PREFERRED UTILITIES
MANUFACTURING CORP.

MODEL 2 SPILL CONTAINER
STYLE 3 ELECTRICAL

1	EXTEND ELEC. BOX DOWN 1 INCH	10/23/14	JKK	MODEL:	SIZE:	TYPE:
				SUPERSEDES:		ASS'Y NO.:
				MATERIAL:		SCALE: NONE
				DRAWN: JKK	8/8/13	
LET.	REVISIONS	DATE OF CHANGE	APPR'D:	W-909X-3		
				SHEET 2 OF 3		

FILE # 909X-3



BACK WALL OF ELECTRICAL BOX

BOTTOM OF ELECTRICAL BOX

FILL BOX LEAK SWITCH TO OTHER PANEL

TERMINALS IN PWC LEVEL CONTROL CABINET OR FUEL SENTRY TANK GAUGE

HIGH LEVEL ALARM LIGHT

ALARM SILENCE

INSIDE OF ELECTRICAL BOX COVER PLATE

PREFERRED UTILITIES MANUFACTURING CORP.

MODEL 2 SPILL CONTAINER
STYLE 3 ELECTRICAL

LET.	REVISIONS	DATE OF CHANGE	APPR'D:
1	EXTEND ELEC. BOX DOWN 1 INCH	10/23/14	JKK

MODEL:	SIZE:	TYPE:
SUPERSEDES:		ASS'Y NO.:
MATERIAL:		SCALE: NONE
DRAWN: JKK 8/19/13		W-909X-3
		SHEET 3 OF 3

FILE # 909X-3